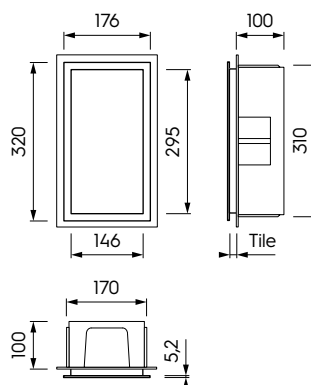


fuma // WALL - NICHE

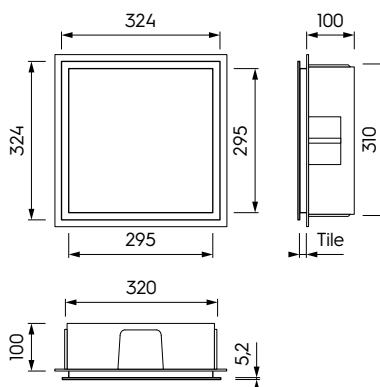
Stainless steel 1.4301/304, in 3 different sizes

| | |
|---|--|
| Item-no. | Niche |
| Product group | Shower / Bathroom |
| Dimension | Small size: 150 x 300 mm rectangular Medium size: 300 x 300 mm square Large size: 600 x 300 mm rectangular |
| Installation depth | 100 mm |
| Material box | Stainless steel V2A (304) Material number: 1.4301 Billet X5CrNi18-10 |
| Material built-in element | Polystyrene (PS) |
| Surface | NES: brushed BW: powder coated mat white RAL 9003 SW: powder coated mat black RAL 9005 |
| Parameters for the stainless steel niche: (not for the substructure) | |
| Fire resistance in accordance to DIN EN 13501 | A1 (non-flammable) |
| Linear coefficient of expansion | $16 \times 10^{-6} \text{ m/m}^\circ\text{C}$ |
| Density approx | 7,9 kg/dm ³ |
| Hardness approx | ≤ 215 HB |
| Tensile strenght Rm at 20°C | 500 - 700 N/mm ² |
| Elongation A5 at 20°C | ≥ 45 % |
| Yield strenght Rp 0,2 at 20°C | ≥ 190 N/mm ² |
| Modulus of elasticity at 20°C | 200 kN/mm ² |
| Electrical resistivity (Ω) at 20°C | 0,73 mm ² /m |
| Magnetisability at 20°C | very low |
| Thermal conductivity at 20°C | 15 W/m K |
| Specific heat capacity at 20°C | 500 J/kg K |

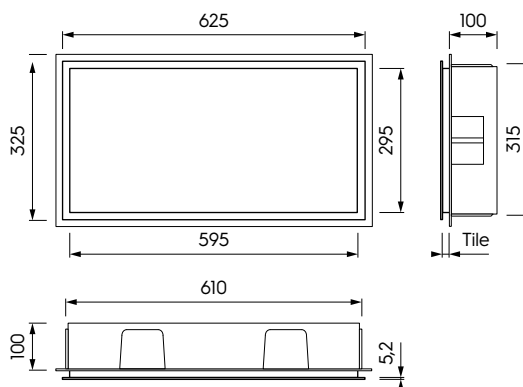
Drawing



Niche 150 x 300 x 100 mm



Niche 300 x 300 x 100 mm



Niche 600 x 300 x 100 mm